

## Polyvinylidene Fluoride (PVDF) MF & UF Elements

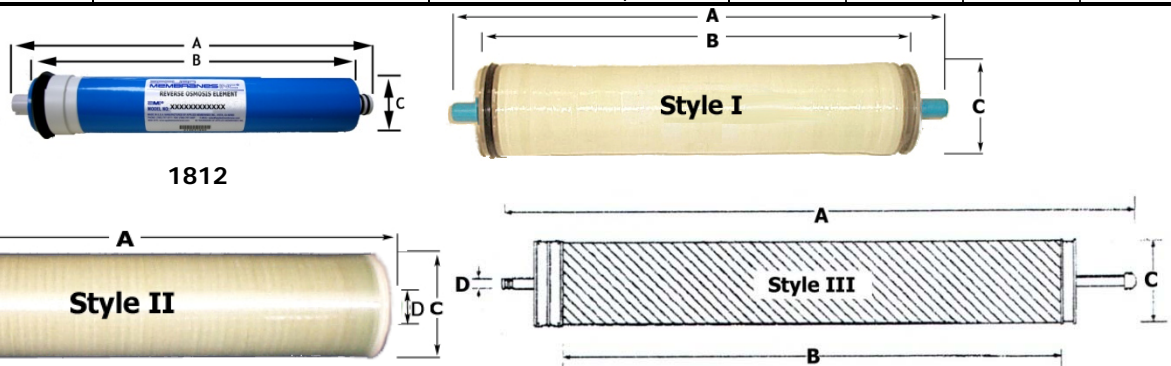
### MICROFILTRATION (MF) PVDF – 0.2 MICRON FOR WASTE WATER, OILY WATER & CLARIFICATION

Model No.	Size (Dia."× Length")	Style (From Below)	Outer Wrap	Dimensions (inches)			
				A	B	C	D
M-MB2521VDF	2.5 × 21	I	FRP Wrap	21	19	2.5	0.75
M-MB2540VDF	2.5 × 40	I	FRP Wrap	40	38	2.5	0.75
M-MB4021VDF	4.0 × 21	I	FRP Wrap	21	19	3.9	0.75
M-MB4040VDF	4.0 × 40	I	FRP Wrap	40	38	3.9	0.75

30 mil spacer standard for 2-4" Dia. For 43 mil spacer, add -43 at the end of the model number. Example: M-M2540VDF-43.

### ULTRAFILTRATION (UF) PVDF – ELECTROCOAT ELEMENTS

Model No.	Style (From Below)	Outer Wrap	Dimensions (inches)			
			A	B	C	D
M-U4028VDF-D400	II	FRP Wrap	28	N/A	4.0	0.62
M-U4033VDF-D400	II	FRP Wrap	33	N/A	4.0	0.62
M-U7640VDF-D400	II	FRP Wrap	40	N/A	7.4	1.285
M-U7638VDF-D400	III	FRP Wrap	38	33	7.4	1.66
M-U7641VDF-D400	III	FRP Wrap	40.5	33	7.4	1.66
M-U7648VDF-D400	III	FRP Wrap	47.5	40	7.4	1.66



### RECOMMENDED OPERATING CONDITIONS

◆ Maximum Operating Pressure (MF)	200 psig at 77°F (25°C)
◆ Maximum Operating Pressure (UF)	50 psig
◆ Maximum Feed Flow Rate	
○ 4" Diameter Elements	20-25 gpm
○ 5.6" Diameter Elements	40-70 gpm
○ 7.6" Diameter Elements	50-110 gpm
◆ Feed water pH Range, Continuous Operation	2-12
◆ Feed water pH Range, Short-Term Cleaning	1-11