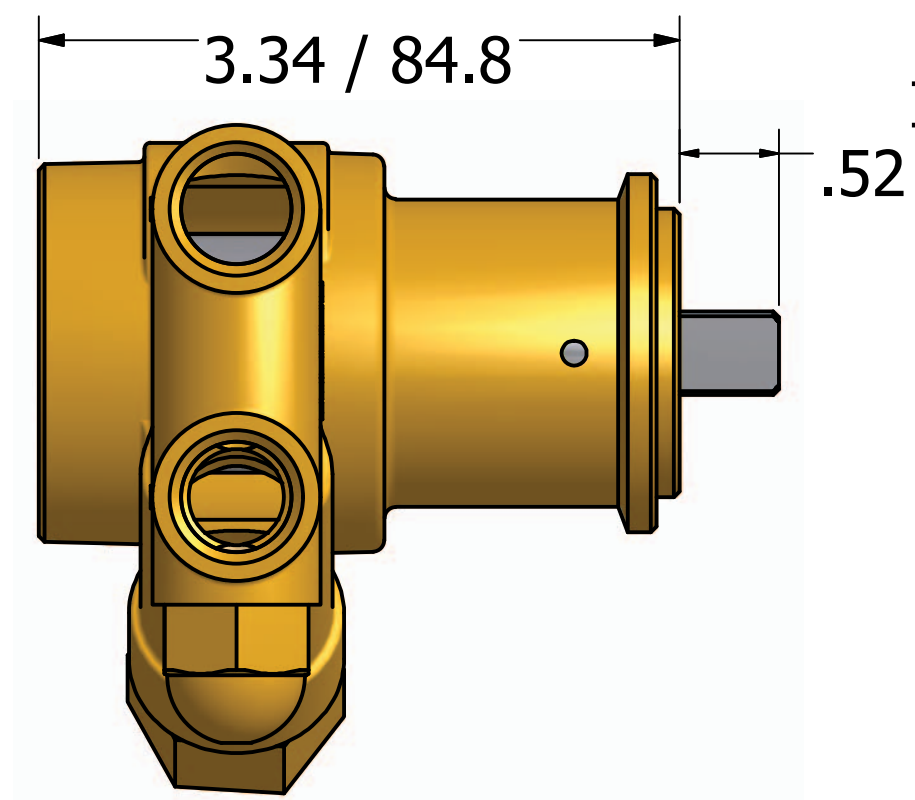
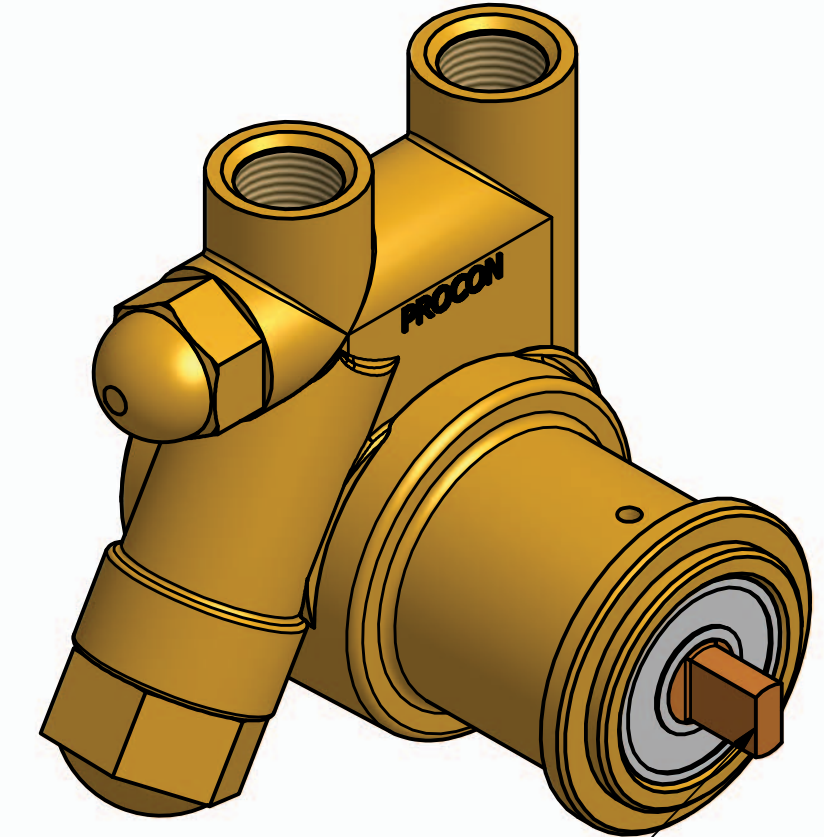
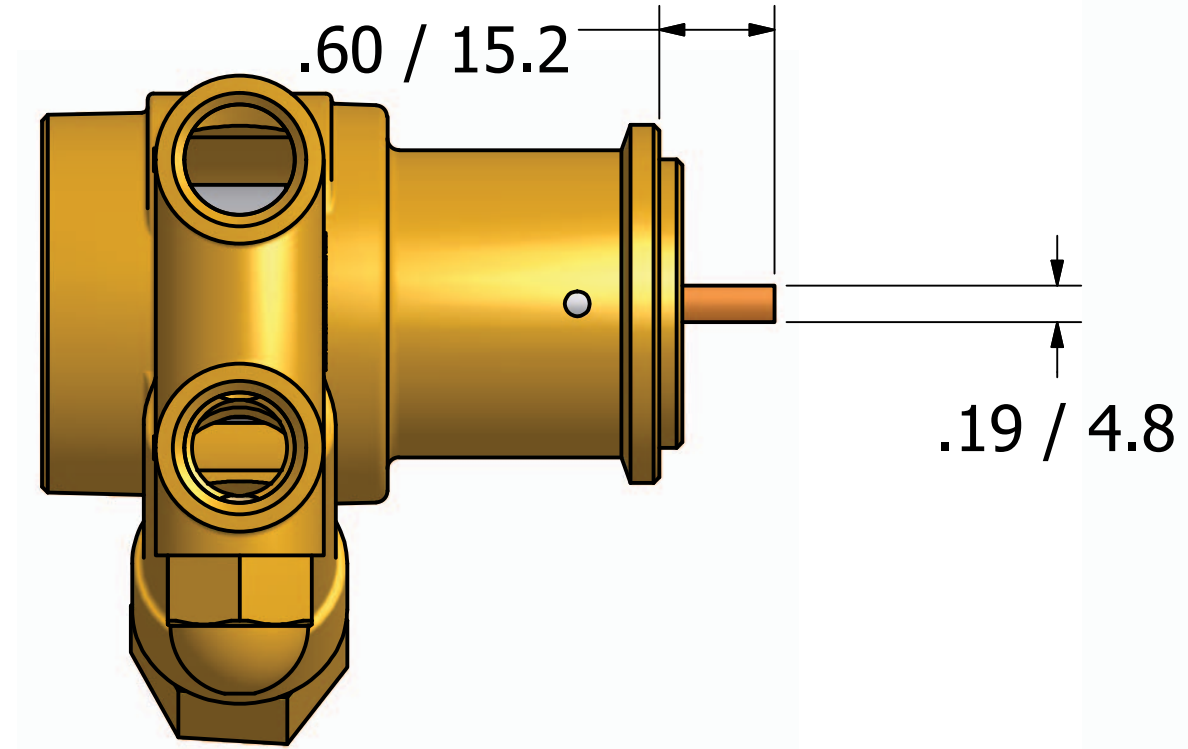
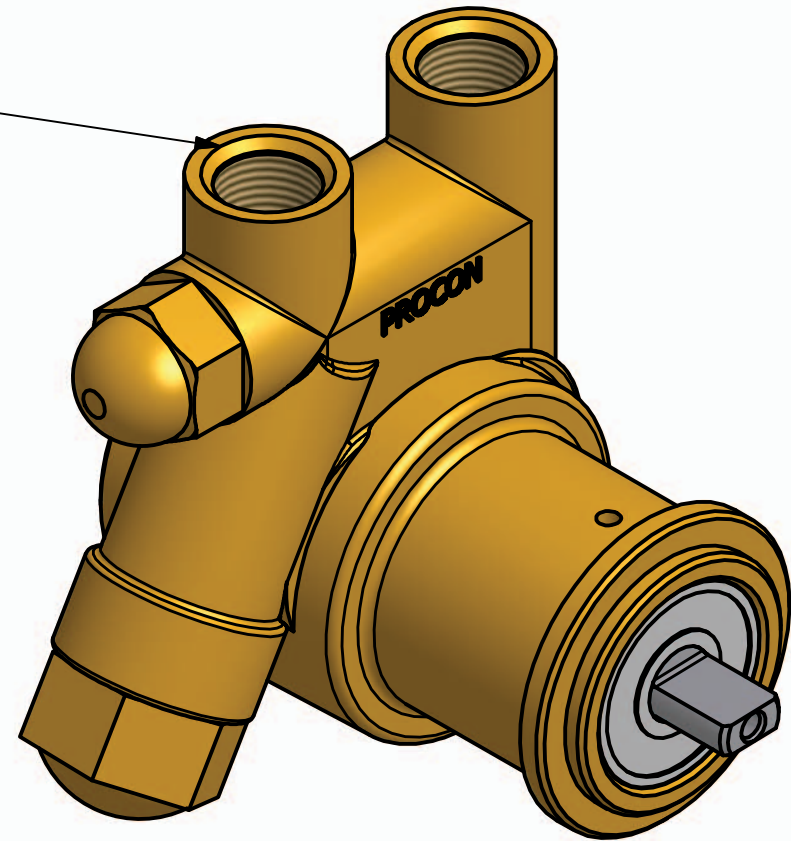


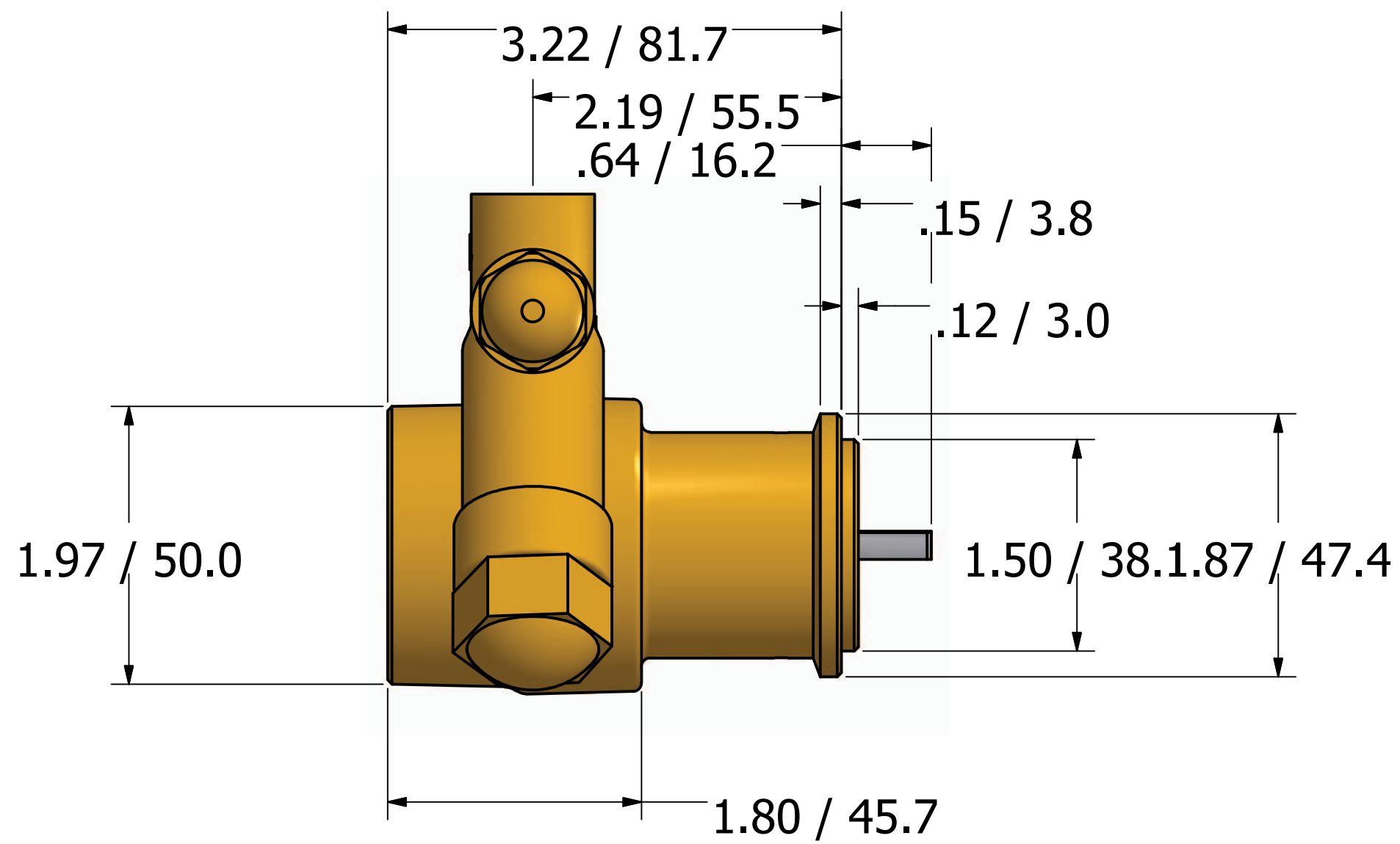
# Series 1 Rotary Vane Pump Clamp-On Style



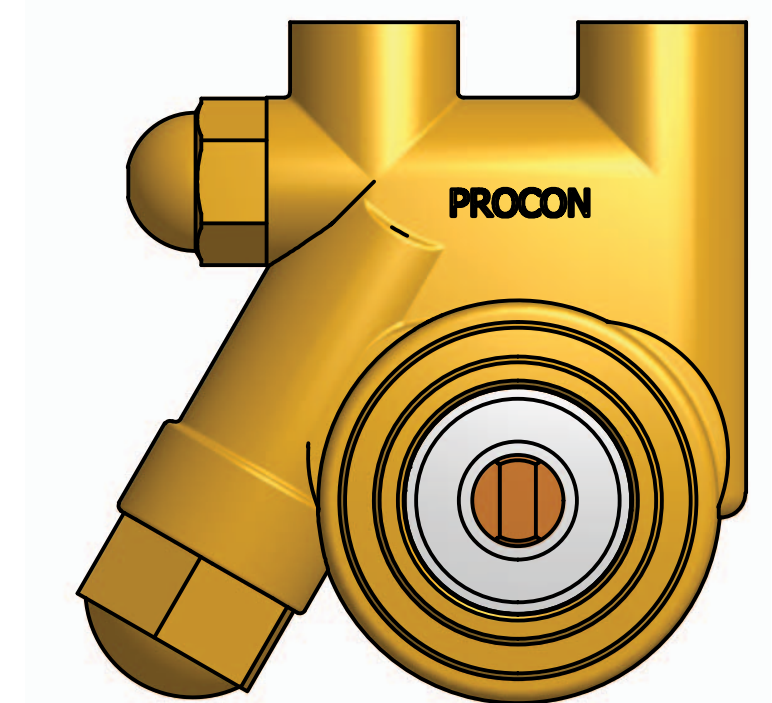
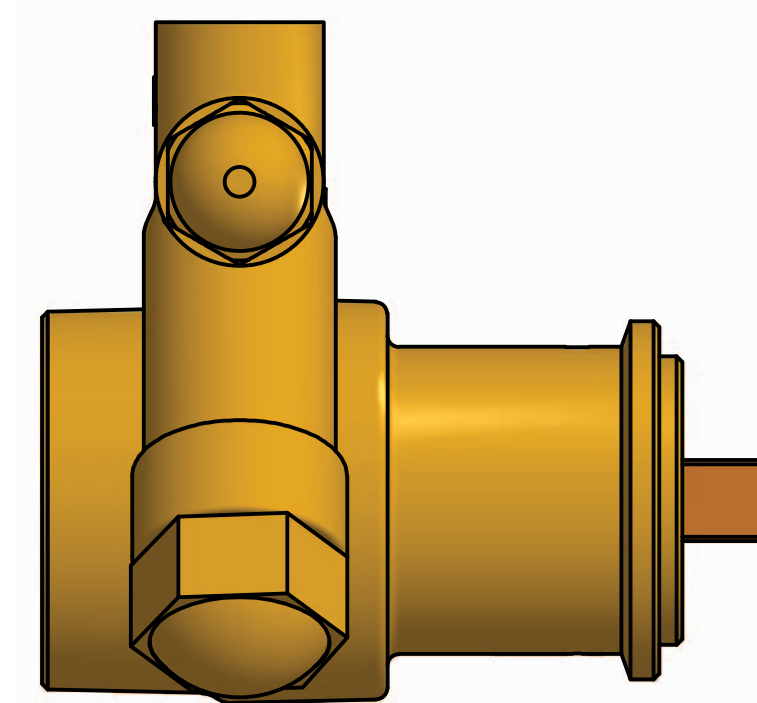
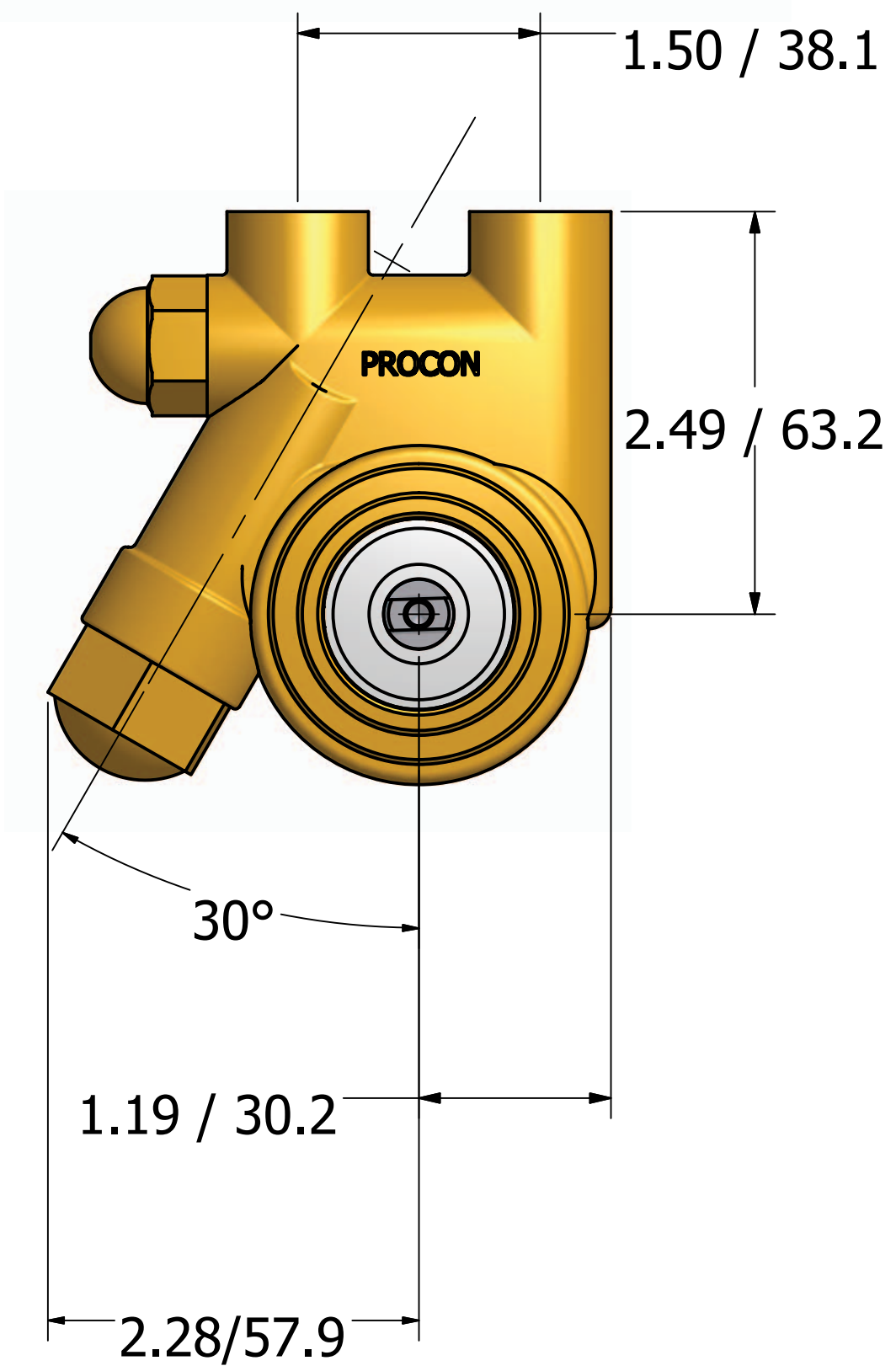
3/8-18 NPT or  
3/8-19 BSPP (G3/8)  
INLET/OUTLET PORTS



1143 Bronze Coupling



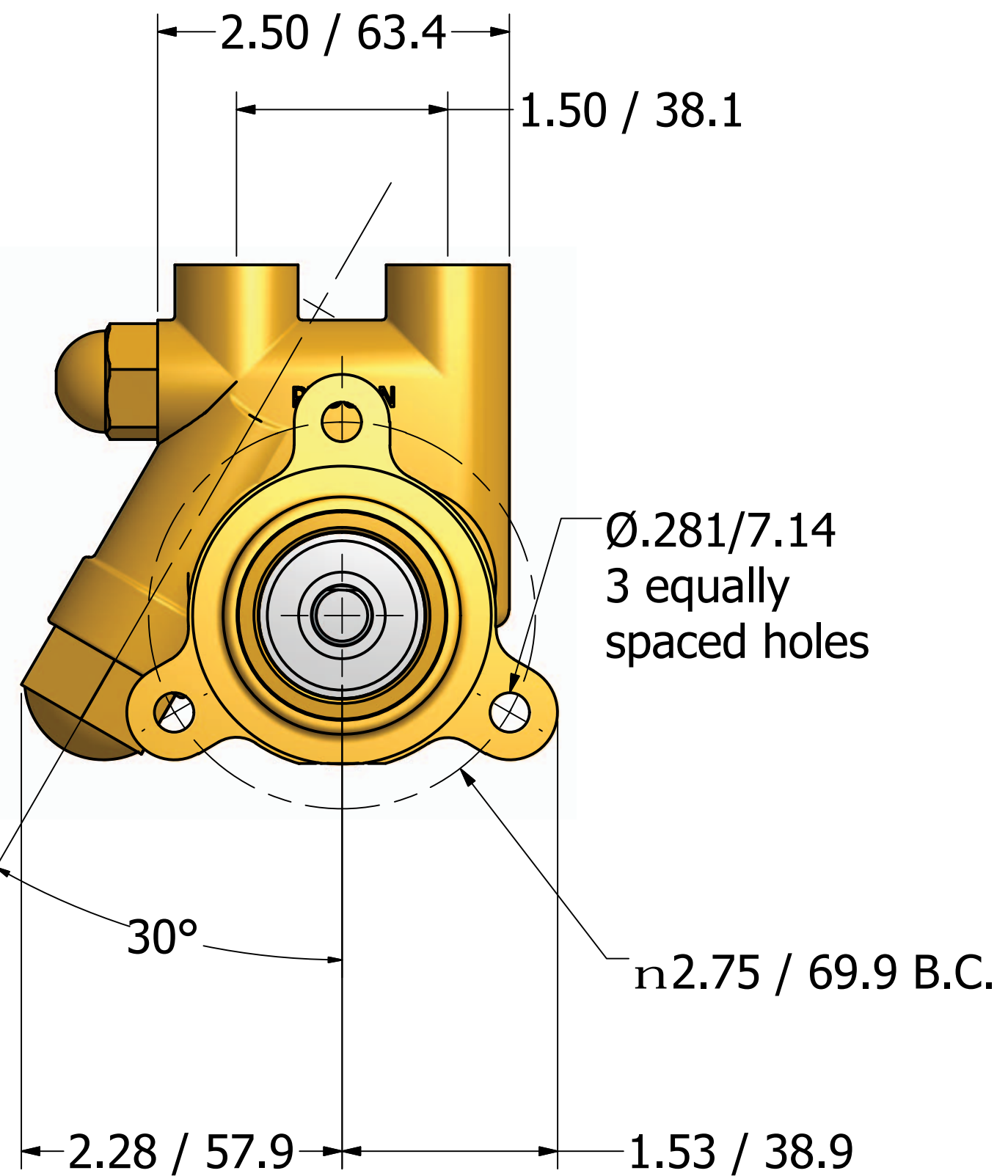
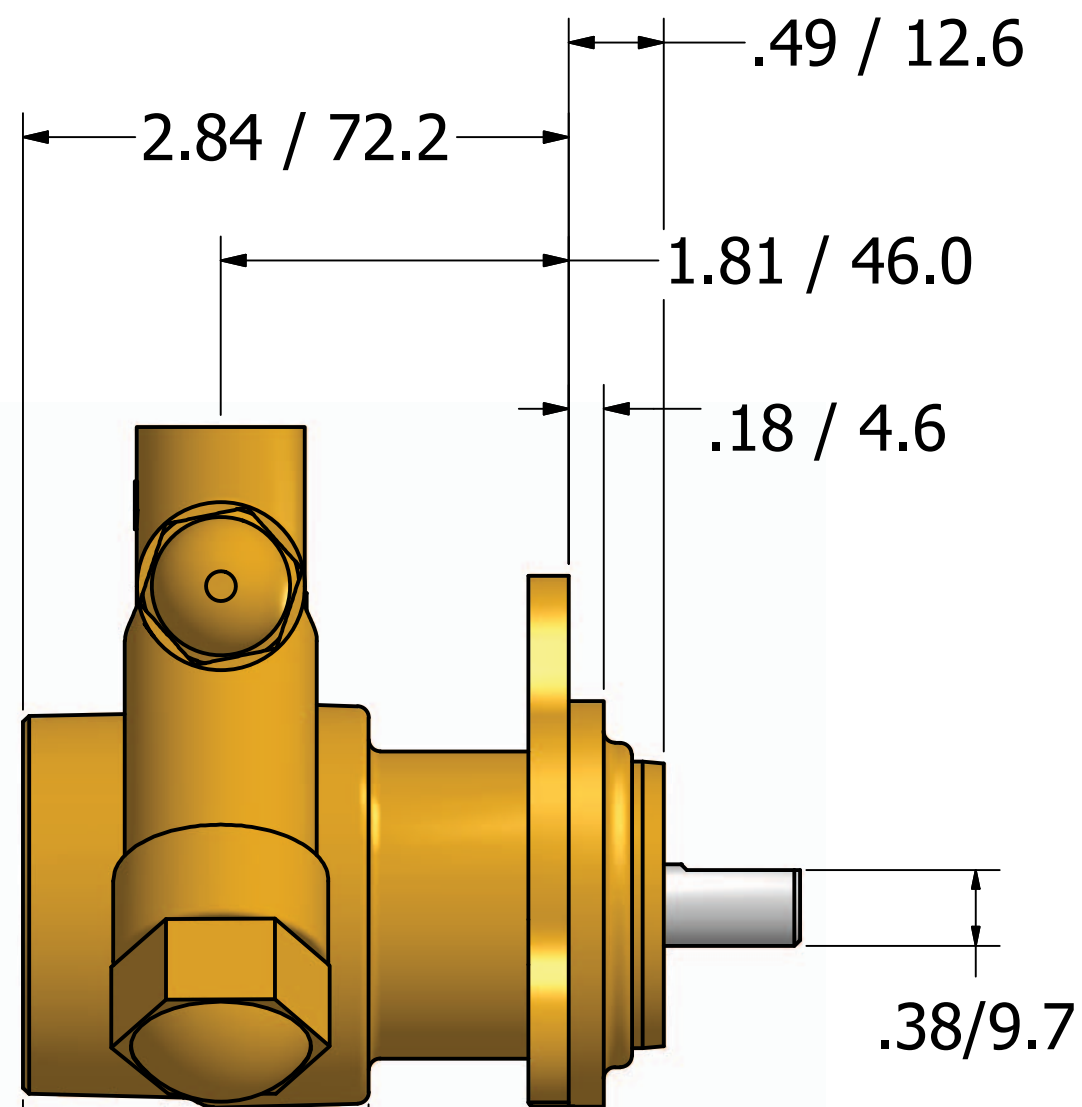
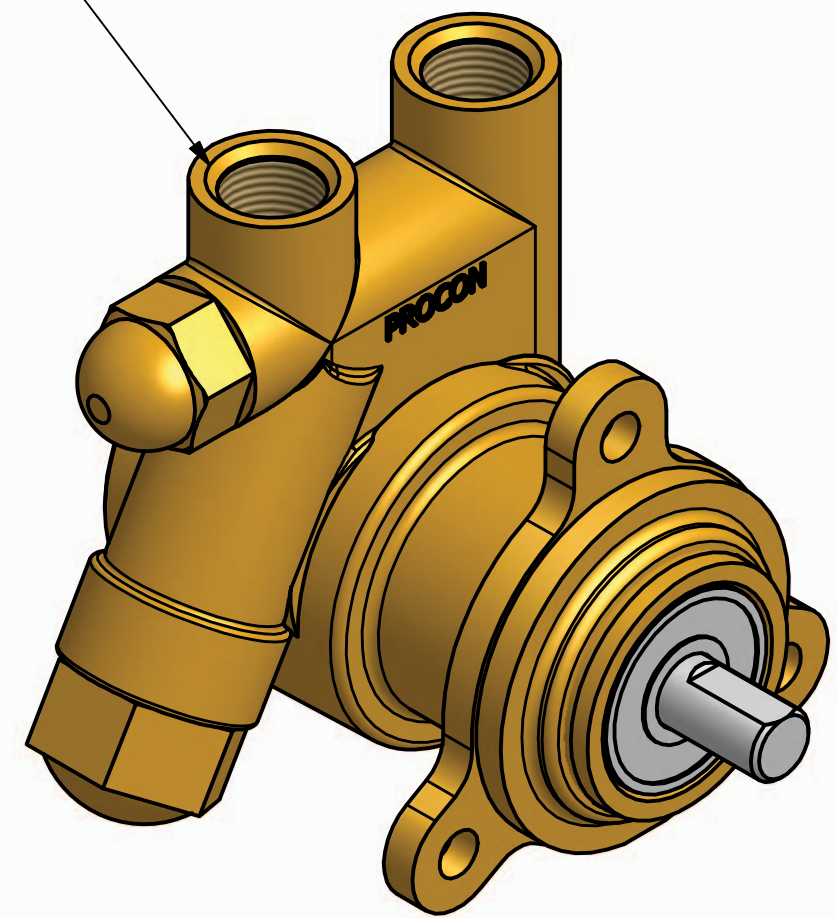
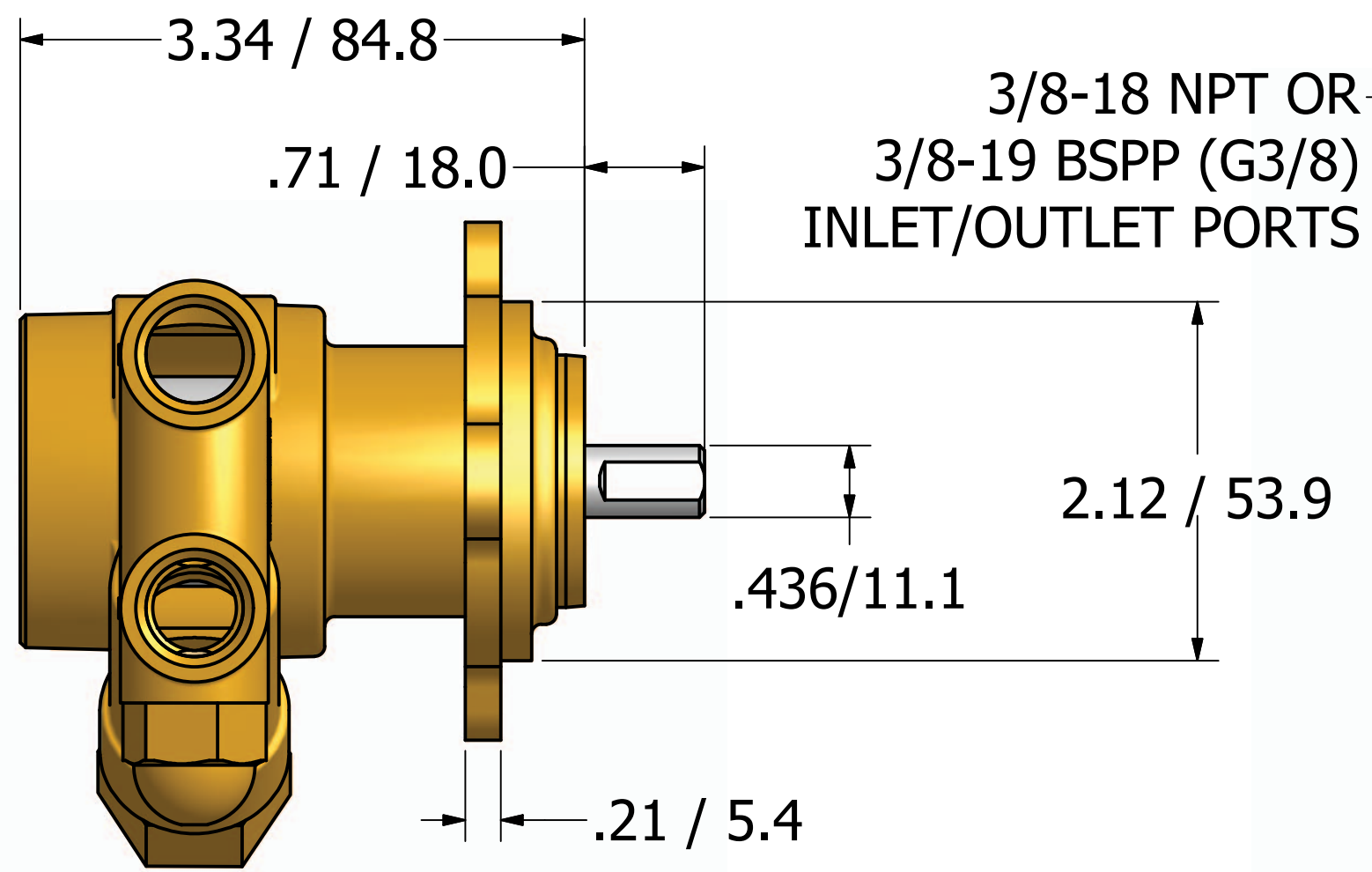
**"A" Mounting**



**"B" Mounting with 1143  
Bronze Coupling**



# Series 1 - Rotary Vane Pumps Bolt-On Style



1.80 / 45.7

## "E" Mounting

Distributed By:

**APPLIED MEMBRANES INC.**<sup>®</sup>

Industry Leader in RO Expertise and Membrane Applications since 1983™

2450 Business Park Dr., Vista, CA 92081 ☎ (760) 727-3711 📠 (760) 727-4427

🌐 www.appliedmembranes.com ✉ sales@appliedmembranes.com

**PROCON**<sup>®</sup>  
Products