

# Self-Priming Shallow Well Jet Pumps



**PN Series Shallow Well Jet Pumps are corrosion- and abrasion-resistant and are ideal for wells with pumping levels of 25' or less.**

**Self-priming after the pump housing is initially filled with water.**

**Capacities to 18 GPM. Available in 1/2, 3/4 and 1 HP models.**

**Supplied with the industry standard 30-50 pressure switch setting.**

## APPLICATIONS

- Water Systems
- Booster Pump
- Marine Use
- Mist Sprayers – Poultry
- Fountains and Water Features

## SPECIFICATIONS

**Body and Seal Plate** – Fiberglass-reinforced thermoplastic  
**Impeller** – Engineered polymer  
**Base** – 12-gauge steel  
**Nozzle, Venturi, Diffuser** – Polypropylene

## FEATURES

**Quality Construction** – Fiberglass-reinforced thermoplastic body provides total corrosion resistance and high resistance to abrasion.

**Built-in Jet** – Shallow-well jet has corrosion-resistant polypropylene nozzle and venturi.

**Impeller** – Precision-molded for perfect balance... ultra-smooth for highest performance and efficiency.

**Precision Molded Diffuser** – Polypropylene diffuser allows pump to prime faster, handle more air.

**Heavy-duty Motor** – Stainless steel shaft and dual heavy-duty ball bearings.

**Heavy-duty Ball Bearings** – Shielded, permanently lubricated bearings, extensively tested to ensure extended life and smooth, quiet operation.

**Dual Voltage Capability** – Dual voltage motors are shipped at the 230 Volt setting.

**Professional Quality, Pre-set 30-50 PSI** – Allows for cut-in pressure adjustments.

**New Nozzle Clean-out** – Easy plug removal and access for ease of service.

**New Drain Plug** – Bottom-mounted for easy draining and winterization.

## ORDERING INFORMATION

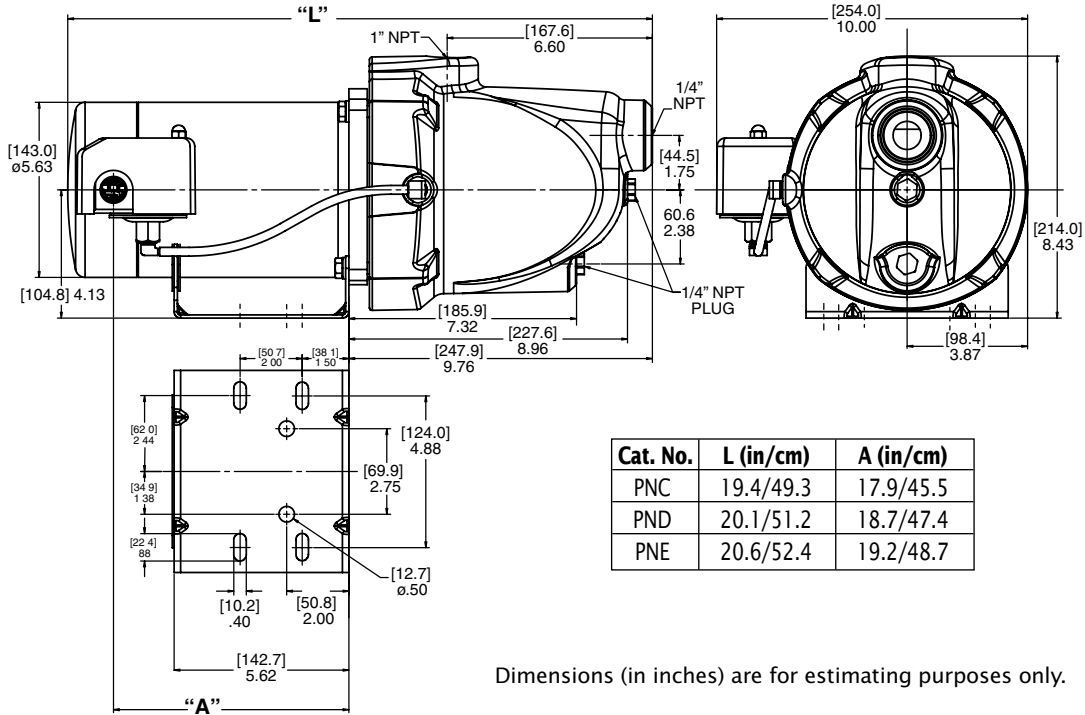
Catalog Number	HP	Description	Pipe Tapping Sizes		Motor Voltage	Approx. Wt. Lbs./Kg.
			Suct.	Disch.		
PNC	1/2	Shallow Well Jet	1-1/4"	1"	115/230	21/9.5
PND	3/4	Shallow Well Jet	1-1/4"	1"	115/230	24/11
PNE	1	Shallow Well Jet	1-1/4"	1"	115/230	26/12

PRO-Source™ is a trademark of Pentair Water.

In order to provide the best products possible, specifications are subject to change.

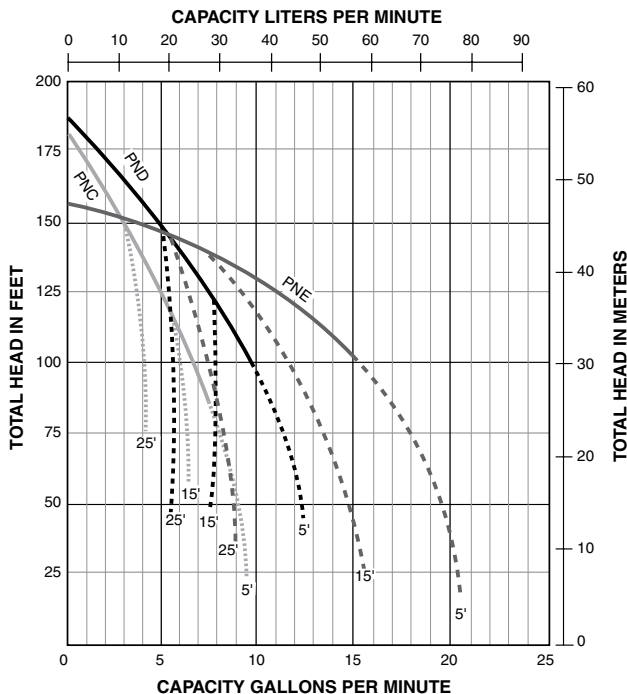
# Self-Priming Shallow Well Jet Pumps

## OUTLINE DIMENSIONS



Dimensions (in inches) are for estimating purposes only.

## PUMP PERFORMANCE – 10 GPM



## PUMP PERFORMANCE (Capacity in Gallons/Liters Per Minute)

Catalog Number	HP	Total Suction Lift Ft/M	Discharge Pressure PSI / Bar			Shut Off PSI / Bar
			30/2.1	40/2.8	50/3.5	
PNC	1/2	5/1.5	8.5/32.2	7.4/28.0	5.2/19.7	77/5.30
		10/3.0	7.1/26.9	6.4/24.2	5.1/19.3	
		15/4.6	6.5/24.6	6.1/23.1	4.5/17.0	
		20/6.1	5.4/20.4	5.1/19.3	4.1/15.5	
		25/7.6	4.1/15.5	4.0/15.1	3.4/12.9	
PND	3/4	5/1.5	12.1/45.8	10.7/40.5	8.5/32.2	78/5.37
		10/3.0	10.7/40.5	10.2/38.6	8.4/31.8	
		15/4.6	9.0/34.1	8.5/32.2	8.1/30.7	
		20/6.1	7.6/28.8	7.3/27.6	7.1/26.9	
		25/7.6	5.3/20.1	5.7/21.6	5.1/19.3	
PNE	1	5/1.5	18.0/68.1	16.8/63.6	13.5/51.1	67/4.62
		10/3.0	17.1/64.7	16.1/60.9	13.4/50.7	
		15/4.6	14.9/56.4	14.4/54.5	13.0/49.2	
		20/6.1	12.6/47.7	12.2/46.2	12.0/45.4	
		25/7.6	8.8/33.3	8.5/32.2	8.1/30.7	

Pumps will operate at all depths shown, with pressure switch set at 30-50 PSI. Tested and rated in accordance with Water Systems Council Standards.

**NOTE:** Pumps installed with a PRO-Source™ tank require a 100 PSI relief valve. Pumps installed with a conventional tank require a 75 PSI relief valve. Relief valve must be capable of relieving entire flow of pump at relief pressure.